



## Life Science Products

*The LYNX mission is to provide Animal Care Washing Systems of the highest standards, quality, and reliability in the industry. Our service and customer care will be unmatched.*

## Model 530LXi Tunnel Cage Washer

The LYNX Model 530LXi Tunnel Cage Washer is a heavy duty, conveyorized, hydro-spray washer designed for thorough, efficient cleaning of cages, debris pans, bottles, feeder bowls, and miscellaneous items used in the care of laboratory animals.



### Size:

Tunnel Opening: 25" high x 31" wide

Overall Unit: 85" high x 67" wide

Washer Lengths: 10'- 0", 15'- 0", 19'- 0"

**Note:** Washer can be designed to any size to meet new or existing applications. (Overall size may vary depending on chosen options)

### Standard Features:

- Integral Unitized Construction
- Removable Spray Headers
- Personnel Safety Features
- Micro-computer Control System with Modem Package
- Drawer-type Solution Strainers
- Temperature Guarantee
- Insulated Construction
- Flat Wire Conveyor Belt
- Hydraulic Hold-down System
- Incoming Utility Gauges
- S/S Recirculation Piping and Components

### Construction:

- All Stainless Steel Construction
- Splash Proof Access Doors
- Automatic Water Level Control
- One-piece Welded Construction
- Automatic Control System
- Stainless Steel Steam Coil Heating
- Touch Screen Operator Interface
- 2-10 FPM Conveyor Drive Motor
- Direct Read Pump Pressure Gauges
- Double-pane Glass Windows

### Accessories:

- Barrier Wall Flange(s)
- Modular Walls

*Washing • Disinfection • Filling • Conveying*



## Utilities: 530LXi

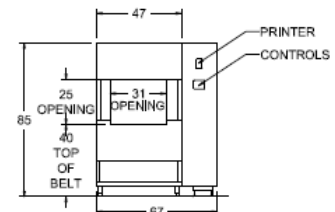
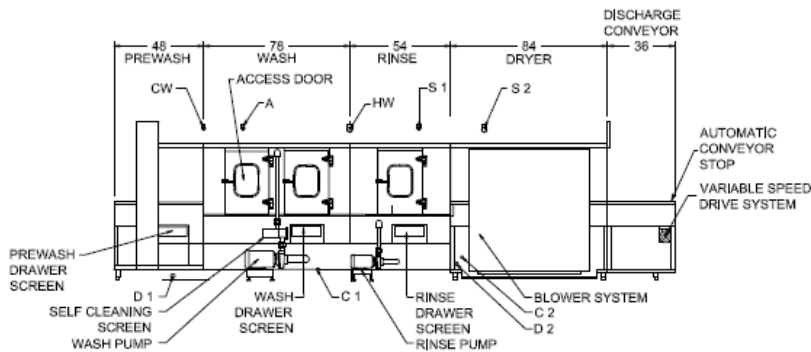
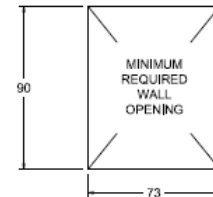
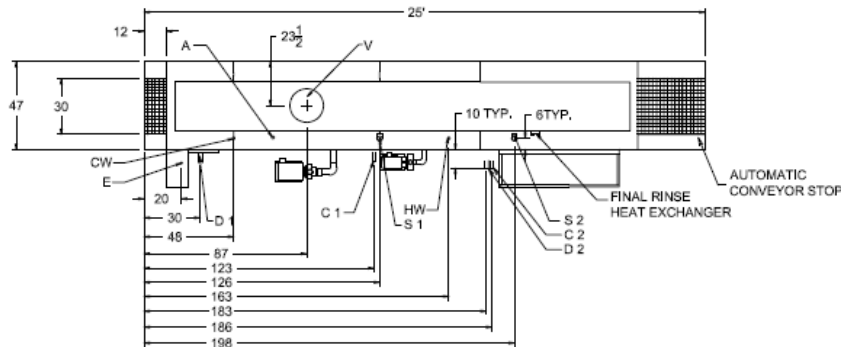
E	Electrical	3-60-208/230/460 V	24 HP	
S1	Steam	2" NPT	30-80 PSI	1400 #/Hr Flow Rate
S2*	Steam	2" NPT	30-80 PSI	1000 #/Hr Flow Rate
HW	Hot Water	1½" NPT	35-60 PSI	30-50 GPM @ 140 °F ± 5 °F (fills only), 12 GPM continuous
C	Condensate	1" NPT		2 Required
D	Drain	4" Floor Drain (Minimum)	50 GPM	2 Required
V	Vent	18" ID Duct	2200 CFM	Saturated Vapor @ 180 °F
A	Air	½" NPT	100-125 PSI	1-2 CFM Flow Rate
CW**	Cold Water	1½" NPT	35-60 PSI	35 GPM 50 °F ± 5 °F

\*S2 – Required if optional dryer package is ordered

\*\*CW – Required if drain discharge cool-down package is ordered

## Optional Features:

- LYNX OPTI-Flow™ System
- Automatic Self Cleaning Screen
- De-scaling Cycle
- Automatic Tank Draining System
- Automatic Drain Discharge Cool-down System
- Discharge Roller Conveyors
- Strip Chart Printer
- Bedding Dispenser Controls
- 7' Double Blower Drying System
- Right or Left Hand Services
- Integral Data Collection System
- Air Compressor
- Low Steam Pressure Package
- Seismic Tie Down
- Detergent Dispensing Systems
- pH Neutralization System



• Specifications are subject to change



LYNX Product Group  
650 Lake Street  
Wilson, NY 14172  
716.751.3100 / 3101(fax)

For further information, please contact:

[lynxpg.com](http://lynxpg.com)

[info@lynxpg.com](mailto:info@lynxpg.com) • [service@lynxpg.com](mailto:service@lynxpg.com)  
[parts@lynxpg.com](mailto:parts@lynxpg.com)

Rev 013015