



Life Science Products

The LYNX mission is to provide Animal Care Washing Systems of the highest standards, quality, and reliability in the industry. Our service and customer care will be unmatched.

LYNX Bottle Wash Cart

The LYNX Bottle Wash Cart is designed to couple with the feeder bottle washing system that is an available option on all of the LYNX 400 Series Cage and Rack Washers.



Four (4) Basket Cart

Bottle Wash Cart Sizing:

The Bottle Wash Carts are sized for either four (4) or six (6) basket configurations. Please consult the factory for additional custom sizes.

Standard Features:

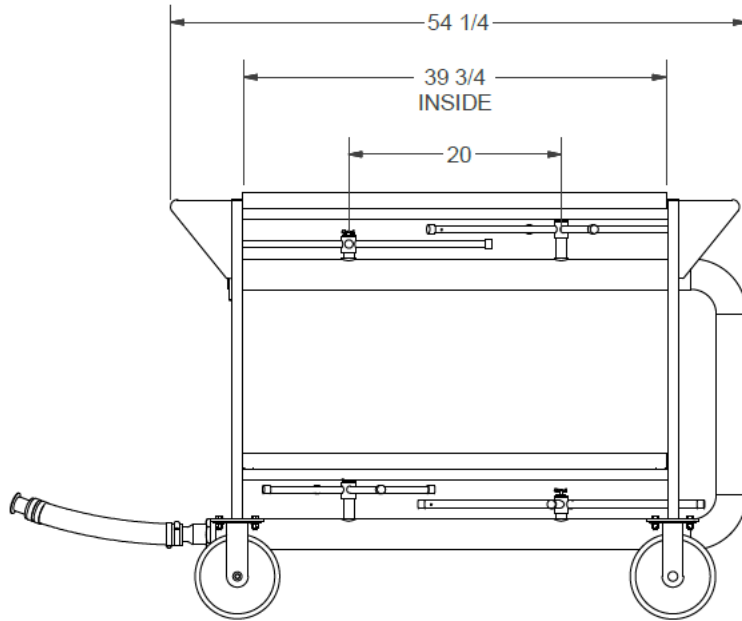
The Bottle Wash Cart is constructed out of 304 stainless steel and has individual rotating spray arms for each of the bottle baskets. Connection to the Rack Washer is via a tri-clamp connection.



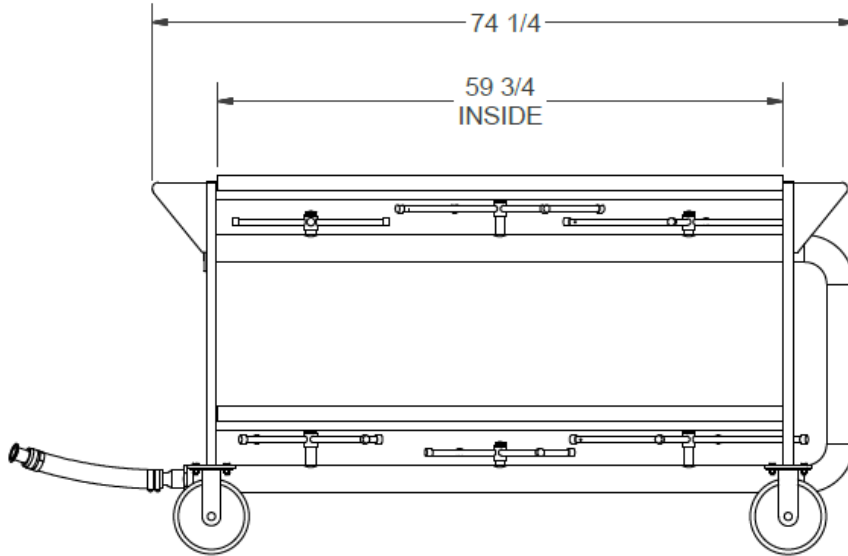
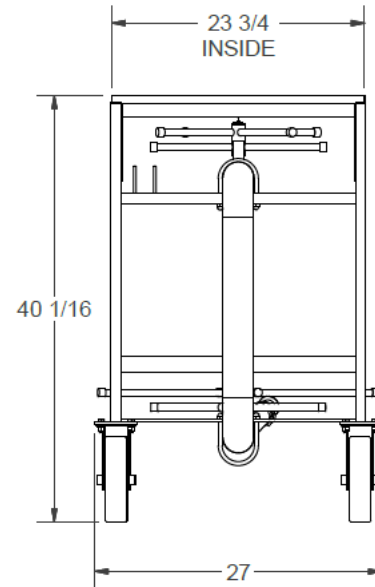
Six (6) Basket Cart

Washing • Disinfection • Filling • Conveying

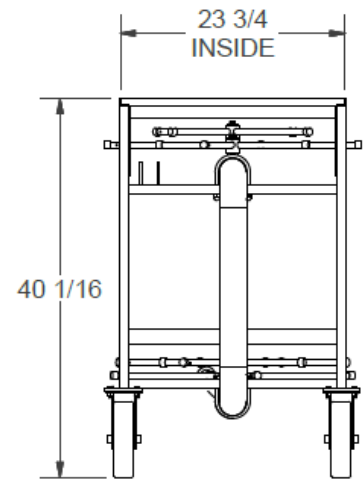




Four (4) Basket Cart



Six (6) Basket Cart



• Specifications are subject to change



LYNX Product Group
 650 Lake Street
 Wilson, NY 14172
 716.751.3100 / 3101(fax)

For further information, please contact:
lynxpg.com
info@lynxpg.com • service@lynxpg.com
parts@lynxpg.com Rev 012915