



Life Science Products

The LYNX mission is to provide Animal Care Washing Systems of the highest standards, quality, and reliability in the industry. Our service and customer care will be unmatched.

Model 220BG Decontamination Chamber

The LYNX Model 220BG Decontamination Chamber is a dedicated air-tight chamber designed to accept vapor or gaseous sterilants for high-level disinfection and/or sterilization of metro racks, caging, computers, electronics, medical devices, instrumentation, and other miscellaneous items at ambient temperatures.



Size:

Compartment: 46" wide x 85" high x 92" deep

Overall Unit: 83" wide x 96" high x 97" long

Note: Chamber can be designed to any size to meet new or existing applications.

Standard Features:

- Modular Construction
- Knock-down Shipment
- Gas/Vapor Ports
- Internal 120 VAC Power
- Air Tight Door(s)
- Air Control Dampers
- HEPA Filtered Air
- Personnel Safety Features
- Micro-computer Control System with Modem Package
- Gas/Vapor Distribution Fans
- Illuminated Interior
- NOE Control Panel

Construction:

- All Stainless Steel Construction
- Smooth, Unobstructed Interior
- Touch Screen Operator Interface
- Direct Read Vacuum/Pressure Gauge
- Viewing Window

Accessories:

- Transfer Cart
- Modular Walls
- Barrier Wall Flange(s)

Washing • Disinfection • Filling • Conveying



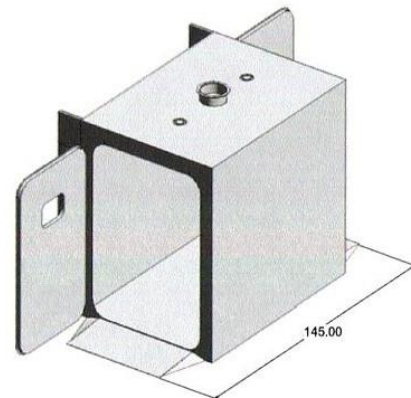
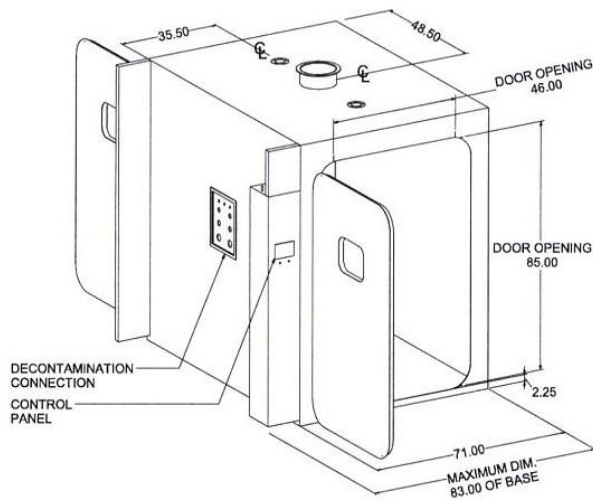
Utilities: 220BG

E	Electrical	120 VAC	20 A	
D*	Drain	4" Floor Drain (Minimum)		Recommended 8" Floor Sink
V	Vent	12" ID Duct	250 CFM	
A	Air	½" NPT	80-100 PSI	2-3 CFM Flow Rate

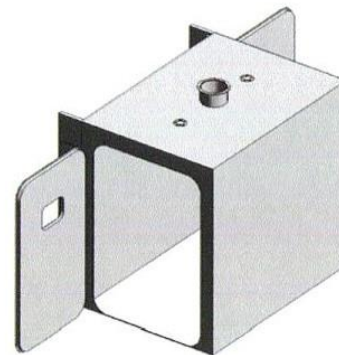
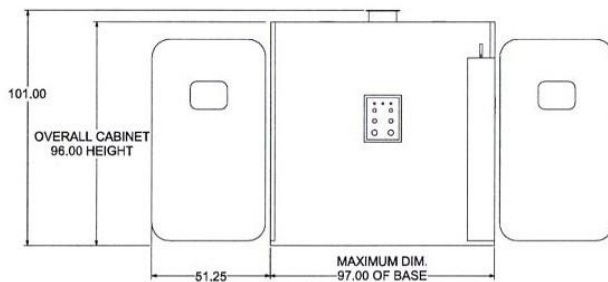
*D – Drain is optional

Optional Features:

- Pass-thru Unit
- Right or Left Hand Services
- Exhaust Fan
- Split Base
- Pass-thru Door Interlock System
- Air Compressor
- Seismic Tie Down
- VHP Generator
- Chlorine Dioxide Generator
- Floor, Pit, or No-base Mounting



RAMP OPTION



BASELESS OPTION

• Specifications are subject to change



LYNX Product Group
650 Lake Street
Wilson, NY 14172
716.751.3100 / 3101(fax)

For further information, please contact:
lynxpg.com
info@lynxpg.com • service@lynxpg.com
parts@lynxpg.com

Rev 013015