



## Life Science Products

*The LYNX mission is to provide Animal Care Washing Systems of the highest standards, quality, and reliability in the industry. Our service and customer care will be unmatched.*

## Model 310LX Cage and Bottle Washer

The LYNX Model 310LX Cage and Bottle Washer is a heavy duty, single chamber, hydro-spray washer designed for thorough, efficient cleaning of cages, racks, debris pans, and miscellaneous items used in the care of laboratory animals.



### Size:

Compartment: 48" wide x 32" high x 34" deep

Overall Unit: 72" wide x 82" high x 39" deep

**Note:** Washer can be designed to any size to meet new or existing applications.

### Standard Features:

- Vertical Sliding Door
- Oscillating Spray Jet System
- Personnel Safety Features
- Micro-computer Control System with Modem Package
- Automatic Ten-phase Treatment Cycle
- Automatic Self-cleaning Screen
- Temperature Guarantee
- Insulated Construction
- Incoming Utility Gauges
- Interior Illumination
- S/S Recirculation Piping and Components

### Construction:

- All Stainless Steel Construction
- Automatic Water Level Control
- 7½ HP Treatment Pump
- Stainless Steel Steam Coil Heating
- Touch Screen Operator Interface
- Programmable Cycles
- Direct Read Pump Pressure Gauge
- Double-pane Glass Window

### Accessories:

- Stainless Steel Mouse Box Rack
- Stainless Steel Rat Box Rack
- Stainless Steel Pan Wash Rack
- Transfer Cart
- Modular Walls
- Barrier Wall Flange(s)

*Washing • Disinfection • Filling • Conveying*



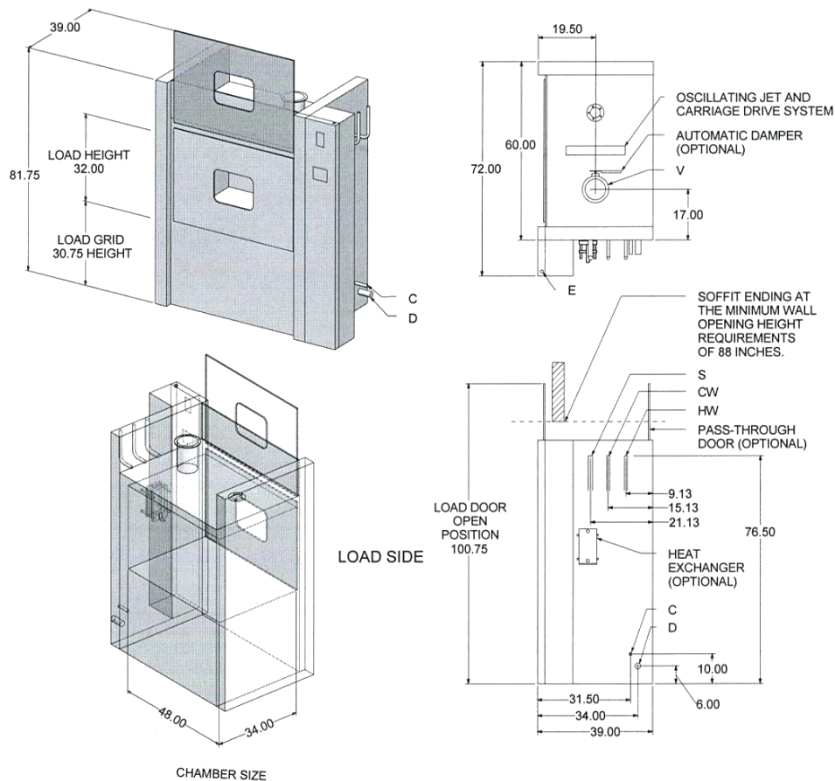
## Utilities: 310LX

E	Electrical	3-60-208/230/460 V	9 HP	
S	Steam	1½" NPT	50-80 PSI	350 #/Hr Flow Rate (600 #/Hr with optional HW Heat Exchanger)
HW	Hot Water	1" NPT	35 PSI	30 GPM @ 140 °F ± 5 °F (20-140 gal/load consumption)
C	Condensate	1" NPT		
D	Drain	4" Floor Drain (Minimum)	90 GPM	Flow Rate @ 195 °F
V	Vent	8" ID Duct	200 CFM	Saturated Vapor @ 190 °F
A	Air	½" NPT	80 PSI	4 CFM Flow Rate
CW*	Cold Water	1" NPT	50 PSI	40 GPM @ 50 °F ± 5 °F

\*CW – Required if drain discharge cool-down package is ordered

## Optional Features:

- LYNX OPTI-Wash™ System
- High Capacity Center Header System
- Pass-thru Unit
- Right or Left Hand Services
- House Hot Water Heat Exchanger
- Cold Water Fill
- Electric Heat System
- Integral Data Collection System
- LYNX Smart-Cool™ System
- Automatic Damper
- Low Steam Pressure Package
- Exhaust Fan
- Drain Discharge Cool-down
- Non-vented Vapor Condenser
- Pass-thru Door Interlock System
- Air Compressor
- Strip Chart Printer
- Seismic Tie Down
- Detergent Dispensing Systems
- pH Neutralization System
- pH Neutralization Monitoring System



• Specifications are subject to change



LYNX Product Group  
650 Lake Street  
Wilson, NY 14172  
716.751.3100 / 3101(fax)

For further information, please contact:

[lynxpg.com](http://lynxpg.com)

[info@lynxpg.com](mailto:info@lynxpg.com) • [service@lynxpg.com](mailto:service@lynxpg.com)  
[parts@lynxpg.com](mailto:parts@lynxpg.com)

Rev 012915