



Life Science Products

The LYNX mission is to provide Animal Care Washing Systems of the highest standards, quality, and reliability in the industry. Our service and customer care will be unmatched.

Model 320LX Cage and Bottle Washer

The LYNX Model 320LX Cage and Bottle Washer is a heavy duty, single chamber, hydro-spray washer designed for thorough, efficient cleaning of cages, racks, debris pans, and miscellaneous items used in the care of laboratory animals.



Size:

Compartment: 48" wide x 32" high x 34" deep

Overall Unit: 72" wide x 80" high x 40" deep

Note: Washer can be designed to any size to meet new or existing applications.

Standard Features:

- Drop-down Door
- Oscillating Spray Jet System
- Personnel Safety Features
- Micro-computer Control System with Modem Package
- Automatic Ten-phase Treatment Cycle
- Automatic Self-cleaning Screen
- Temperature Guarantee
- Insulated Construction
- Incoming Utility Gauges
- Interior Illumination
- S/S Recirculation Piping and Components

Construction:

- All Stainless Steel Construction
- Automatic Water Level Control
- 7½ HP Treatment Pump
- Stainless Steel Steam Coil Heating
- Touch Screen Operator Interface
- Programmable Cycles
- Direct Read Pump Pressure Gauge
- Double-pane Glass Window

Accessories:

- Stainless Steel Mouse Box Rack
- Stainless Steel Rat Box Rack
- Stainless Steel Pan Wash Rack
- Transfer Cart
- Modular Walls
- Barrier Wall Flange(s)

Washing • Disinfection • Filling • Conveying



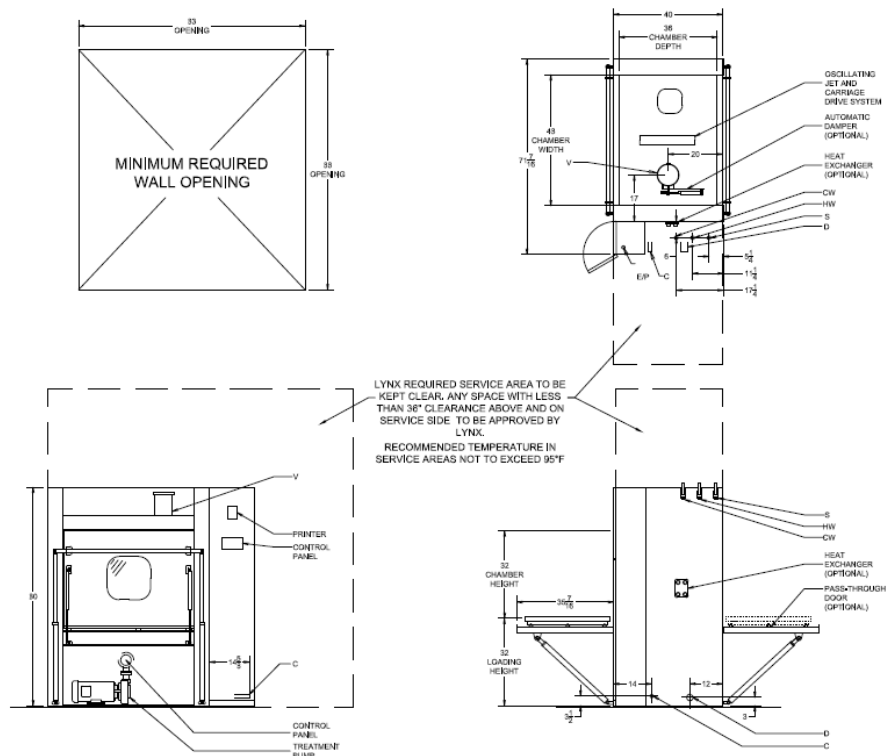
Utilities: 320LX

E	Electrical	3-60-208/230/460 V	9 HP	
S	Steam	1½" NPT	50-80 PSI	350 #/Hr Flow Rate (600 #/Hr with optional HW Heat Exchanger)
HW	Hot Water	1" NPT	35 PSI	30 GPM @ 140 °F ± 5 °F (20-140 gal/load consumption)
C	Condensate	1" NPT		
D	Drain	4" Floor Drain (Minimum)	90 GPM	Flow Rate @ 190 °F
V	Vent	8" ID Duct	200 CFM	Saturated Vapor @ 190 °F
A	Air	½" NPT	80 PSI	4 CFM Flow Rate
CW*	Cold Water	1" NPT	50 PSI	40 GPM @ 50 °F ± 5 °F

*CW – Required if drain discharge cool-down package is ordered

Optional Features:

- LYNX OPTI-Wash™ System
- High Capacity Center Header System
- Pass-thru Unit
- Right or Left Hand Services
- House Hot Water Heat Exchanger
- Cold Water Fill
- Electric Heat System
- Integral Data Collection System
- LYNX Smart-Cool™ System
- Automatic Damper
- Low Steam Pressure Package
- Exhaust Fan
- Drain Discharge Cool-down
- Non-vented Vapor Condenser
- Pass-thru Door Interlock System
- Air Compressor
- Strip Chart Printer
- Seismic Tie Down
- Detergent Dispensing Systems
- pH Neutralization System
- pH Neutralization Monitoring System



• Specifications are subject to change



LYNX Product Group
650 Lake Street
Wilson, NY 14172
716.751.3100 / 3101(fax)

For further information, please contact:

lynxpg.com

info@lynxpg.com • service@lynxpg.com
parts@lynxpg.com

Rev 012915